

## G Series Semi-rigid Cable Assemblies

G3/SMA Male / SMA Male/DC-26.5 GHz

Model: G3-SMAMSMAM-LM-PM

### Features:

- Max Frequency 26.5 GHz
- VSWR max of 1.30
- Velocity of Propagation of 70%

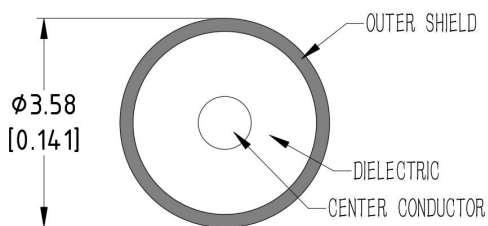
### Applications:

- Test & Measurement equipment
- Manufacturing lab
- WAN system equipment

### Electrical Characteristics:

Parameter	Min	Typ	Max	Units
Frequency Range	DC		26.5	GHz
VSWR		1.25	1.3	:1
Velocity of propagation		70%		
Shielding Effectiveness	90			dB
Cable Diameter			3.58	

### Cable Cross Section:



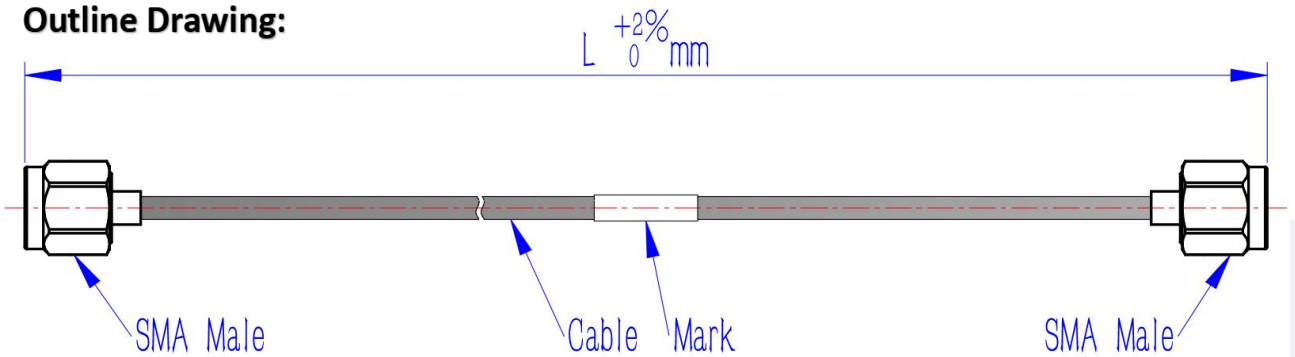
### Environmental And Physical Characteristics:

Description	Parameter	Units
Min. Bending Radius	18	mm
Typical Flex life	50000	
Operating Temperature	-55 to +200	°C
Storage Temperature	-55 to +200	°C

## Connectors:

Description	Connector 1	Connector 2
连接器 Connector	SMA-J, Straight Male	SMA-J, Straight Male
连接器材质 Contact Material And Plating	铍青铜镀金 Beryllium Copper, Gold	铍青铜镀金 Beryllium Copper, Gold
绝缘 Dielectric Type	PEI	PEI
连接器螺母 Connector Nut	可拆卸 Removably	可拆卸 Removably

## Outline Drawing:



## Ordering Information:

Base Number	Length (Unit meters)	Phase/delay Matched
G3-SMAMSMAM	-L	LEAVE BLANK (NOT REQUIRED) -XXPS ( $\leq \pm XX$ PS) -XX° ( $\pm XX^\circ$ )

## Cable Performance Data:

电缆组件插入损耗 Insertion Loss:

Model: G3-SMAMSMAM-LM-PM 插损  $\leq (0.35 + 2.1 \times L)$  dB, L 为电缆长度;

相同规格组件插损一致性:  $\leq 0.1$  dB (半刚电缆成型后配幅配相)

相同规格组件相位一致性:  $\leq \pm 10^\circ$  (半刚电缆成型后配幅配相)