

## G Series Semi-rigid Cable Assemblies

G2/2.92mm Male /2.92mm Male/DC-40 GHz      Model: G2-2.92M2.92M-LM-PM

### Features:

- Max Frequency 40 GHz
- VSWR max of 1.30
- Velocity of Propagation of 70%

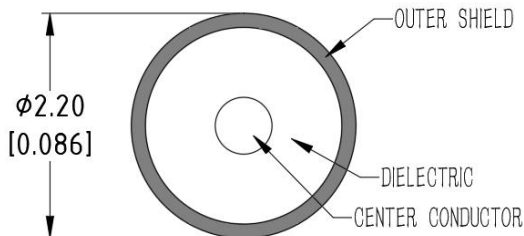
### Applications:

- Test & Measurement equipment
- Manufacturing lab
- WAN system equipment

### Electrical Characteristics:

Parameter	Min	Typ	Max	Units
Frequency Range	DC		40	GHz
VSWR		1.25	1.3	:1
Velocity of propagation		70%		
Shielding Effectiveness	90			dB
Cable diameter			2.2	mm

### Cable Cross Section:



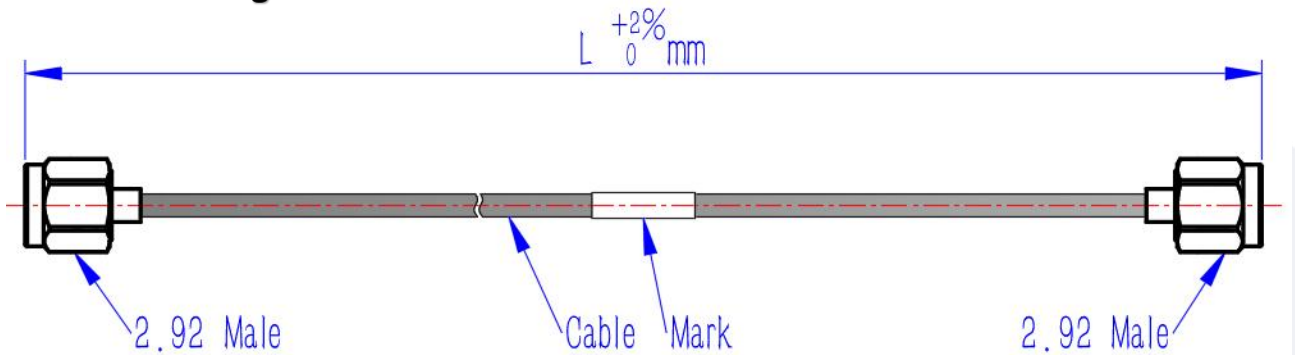
### Environmental And Physical Characteristics:

Description	Parameter	Units
Min. Bending Radius	15	mm
Typical Flex life	50000	
Operating Temperature	-55 to +200	°C
Storage Temperature	-55 to +200	°C

## Connectors:

Description	Connector 1	Connector 2
连接器Connector	2.92mm-J, Straight Male	2.92mm-J, Straight Male
连接器材质Contact Material And Plating	铍青铜镀金 Beryllium Copper, Gold	铍青铜镀金 Beryllium Copper, Gold
绝缘Dielectric Type	PEI	PEI
连接器螺母 Connector Nut	可拆卸Removably	可拆卸Removably

## Outline Drawing:



## Ordering Information:

Base Number	Length (Unit meters)	Phase/delay Matched
G2-2.92M2.92M	-L	LEAVE BLANK (NOT REQUIRED) -XXPS ( $\leq \pm XX$ PS) -XX° ( $\pm XX^\circ$ )

## Cable Performance Data:

电缆组件插入损耗 Insertion Loss:

Model: G2-2.92M2.92M-LM-PM 插损  $\leq (0.5 + 5.3XL)$  dB, L 为电缆长度;

相同规格组件插损一致性:  $\leq 0.2$  dB (半刚电缆成型后配幅配相)

相同规格组件相位一致性:  $\leq \pm 20^\circ$  (半刚电缆成型后配幅配相)