

## Dual Polarized Horn Antenna

2.92mm Female/17-21.5GHz/15dBi Typ, Gain

Model:TL-1722DCPHA15K

TL-1722DCPHA15K is a dual polarized horn antenna that operates from 17 to 21.5GHz, The antenna offers 15dBi typical gain. The antenna VSWR is 1.6:1 maximum. The antenna isolation is minimum 18 dB. The antenna RF port is 2.92mm female. It can be widely used in EMI detection, orientation, reconnaissance, antenna gain and pattern measurement and other application fields.

### Features:

- Operating Frequency 17 to 21.5GHz
- Gain: 15dBi Typ
- Dual Circular Polarization

### Applications:

- Radar Systems
- Communication Systems

### Electrical Characteristics:

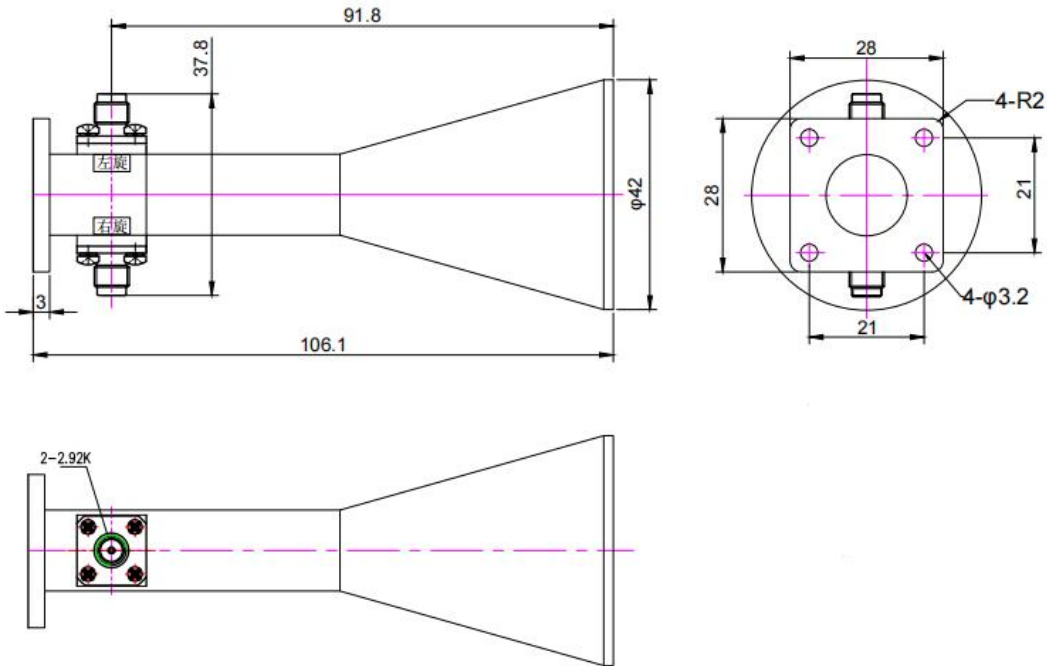
Parameter	Min	Typ	Max	Units
Frequency Range	17		21.5	GHz
Gain		15		dBi
Polarization mode	Dual Circular			
Input VSWR			1.6	:1
Axial Ratio			2	
Isolation	18			dB

### Physical Characteristics:

Description	Parameter	Units
Material	Copper	
Finish	Silver plated ,Spray sea gray paint	
Waveguide Connectors	2.92mm Female	
Size	ø42*106.1	mm

**Outline Drawing:**

Unit:mm



ESD Protection: Strictly adhere to ESD precautions to prevent electrostatic damage.

**Ordering Information:**

Base Number	Description	Revision
TL-1722DCPHA15K	Dual Polarized Horn Antenna, 17-21.5GHz, Gain: 15dBi Typ, 2.92mm Female	Rev.1.0