

Dual Polarized Horn Antenna

2.92mm Female/17-21.5GHz/15dBi Typ, Gain

Model:TL-1722DCPHA15K

TL-1722DCPHA15K is a dual polarized horn antenna that operates from 17 to 21.5GHz, The antenna offers 15dBi typical gain. The antenna VSWR is 1.6:1 maximum. The antenna isolation is minimum 18 dB. The antenna RF port is 2.92mm female. It can be widely used in EMI detection, orientation, reconnaissance, antenna gain and pattern measurement and other application fields.

Features:

- Operating Frequency 17 to 21.5GHz
- Gain: 15dBi Typ
- Dual Circular Polarization

Applications:

- Radar Systems
- Communication Systems

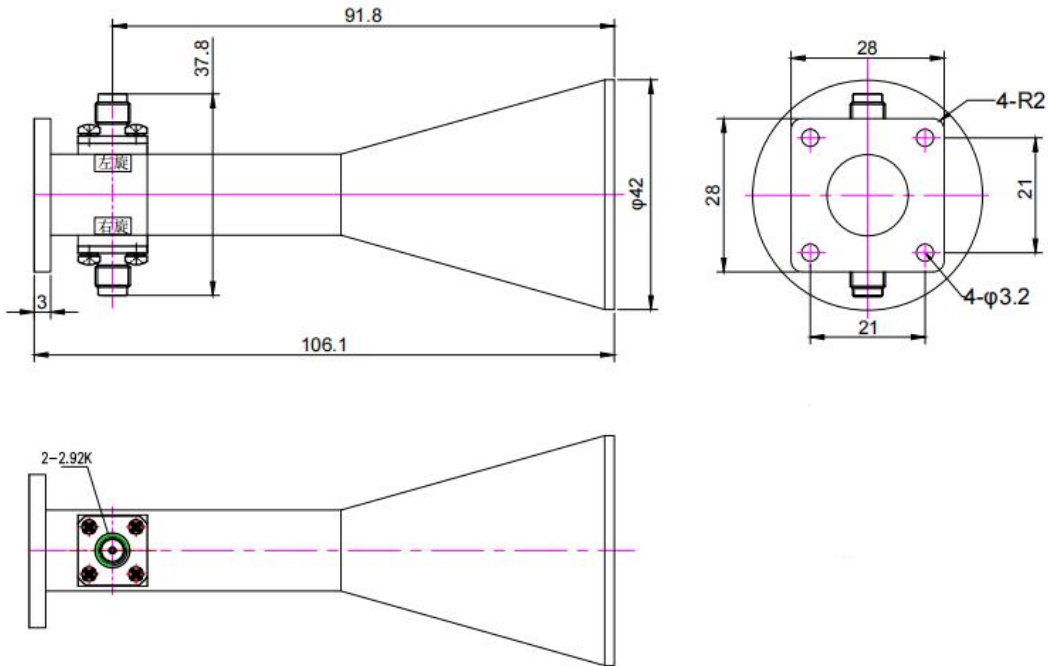
电气特性 Electrical Characteristics:

参数 Parameter	Min	Typ	Max	单位 Units
频率范围 Frequency Range	17		21.5	GHz
增益 Gain		15		dBi
极化方式 Polarization mode	Dual Circular			
驻波 Input VSWR			1.6	:1
轴比 Axial Ratio			2	
隔离度 Isolation	18			dB

机械特性 Physical Characteristics:

类型 Description	参数 Parameter	单位 Units
材质 Material	Copper	
表面处理 Finish	Silver plated ,Spray sea gray paint	
波导接口 Waveguide Connectors	2.92mm Female	
尺寸 Size	ø42*106.1	mm

外形图 Outline Drawing: Unit:mm



ESD Protection: Strictly adhere to ESD precautions to prevent electrostatic damage.

订货信息 Ordering Information:

标准型号 Base Number	描述 Description	版本号 Revision
TL-1722DCPHA15K	Dual Polarized Horn Antenna, 17-21.5GHz, Gain: 15dBi Typ, 2.92mm Female	Rev.1.0