

Miniature Switch Matrix

DC-40GHz/SP6T/2.92mm Female/USB&LAN

Model: TLRS-1R16-40NU-K-UL

Features:

- Frequency range: DC-40GHz
- USB&LAN Controlled
- Low Insertion Loss and High Isolation
- Customization available upon request

Applications:

- Device Testing
- Automatic Test Equipment

Electrical Characteristics:

Parameter		Min	Typ	Max	Units
Frequency range		DC		40	GHz
Insertion Loss	DC~6GHz			0.3	dB
	6~12GHz			0.4	
	12~18GHz			0.5	
	18~26.5GHz			0.8	
	26.5~40GHz			1.3	
Isolation	DC~6GHz	70			dB
	6~18GHz	60			
	18~26.5GHz	55			
	26.5~40GHz	50			
VSWR	DC~6GHz			1.3	:1
	6~12GHz			1.4	
	12~18GHz			1.5	
	18~26.5GHz			1.9	
	26.5~40GHz			2	
Power Handling	DC~6GHz			80	W
	6~12GHz			50	
	12~18GHz			45	
	18~26.5GHz			15	
	26.5~40GHz			8	
阻抗 Impedance		50			Ohms

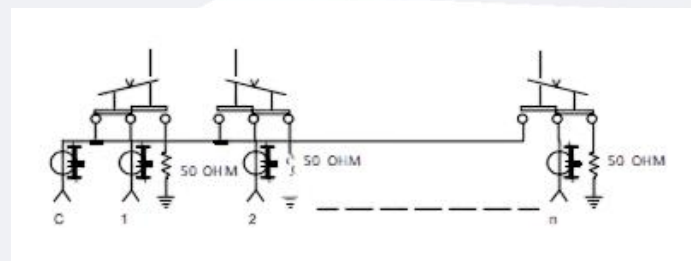
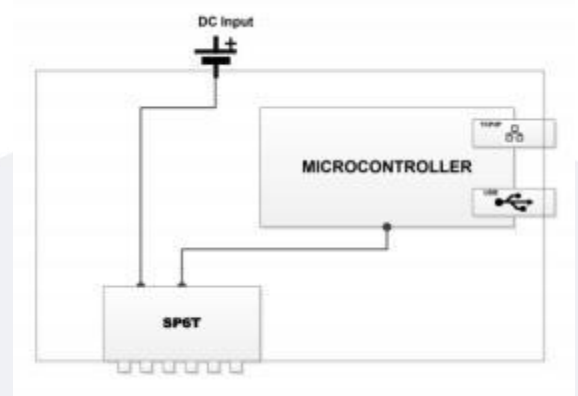
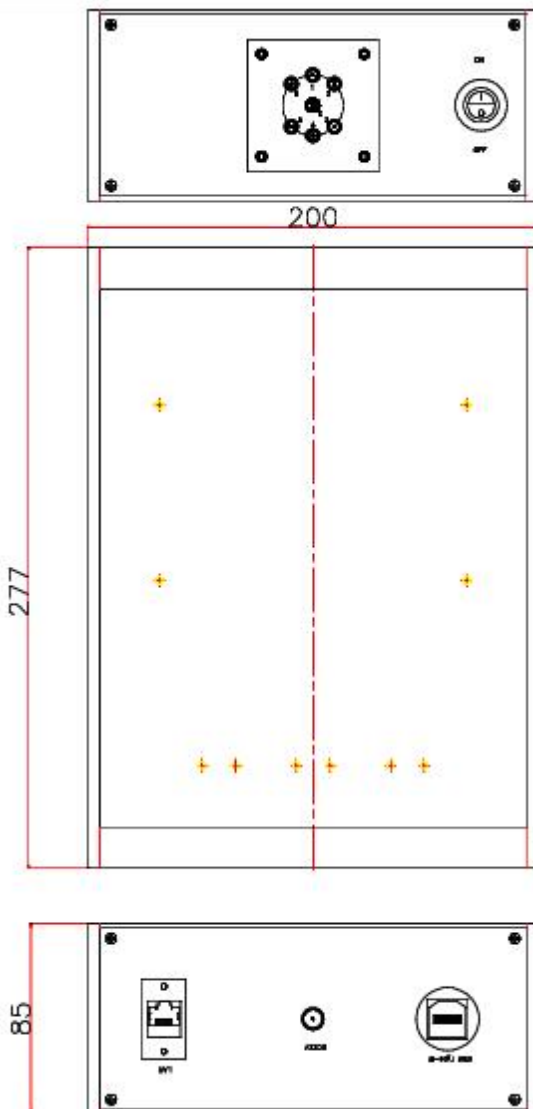
Mechanical Specifications:

Description	Parameter	Units
RF Connector	2.92mm Female	
Power Supply interface	Center positive DC Socket	
Control interface	USB type-B and RJ45	
Standard Actuator Life	≥2 million	
Switch Sequence	Break before make	

Outline Drawing:

Unit:mm

Schematic:



Normally open (all port disconnected)
Internal terminations on ports J1-J6



Environmental Conditions:

Parameter	Min	Typ	Max	Units
Operating Temperature	-25		+65	°C
Shock / Vibration(MIL-STD-810F)	10G RMS, 20-2000Hz			
Shock(non operating)	50G, 1/2Sine, 12msec			

Ordering Information:

Base Number	Description	Revision
TLRS-1R13-40NU-K-UL	SP3T Switch Matrix ,DC to 40 GHz, 2.92mm,USB&LAN Controlled	Rev.1.0
TLRS-1R14-40NU-K-UL	SP4T Switch Matrix ,DC to 40 GHz, 2.92mm,USB&LAN Controlled	Rev.1.0
TLRS-1R15-40NU-K-UL	SP5T Switch Matrix ,DC to 40 GHz, 2.92mm,USB&LAN Controlled	Rev.1.0
TLRS-1R16-40NU-K-UL	SP6T Switch Matrix ,DC to 40 GHz, 2.92mm,USB&LAN Controlled	Rev.1.0

Included Accessories:

Base Number	Description	Quantity
	AC/DC 12VDC Grounded Power Adaptor.	1 Pcs
	Operation Manual	1 Pcs